

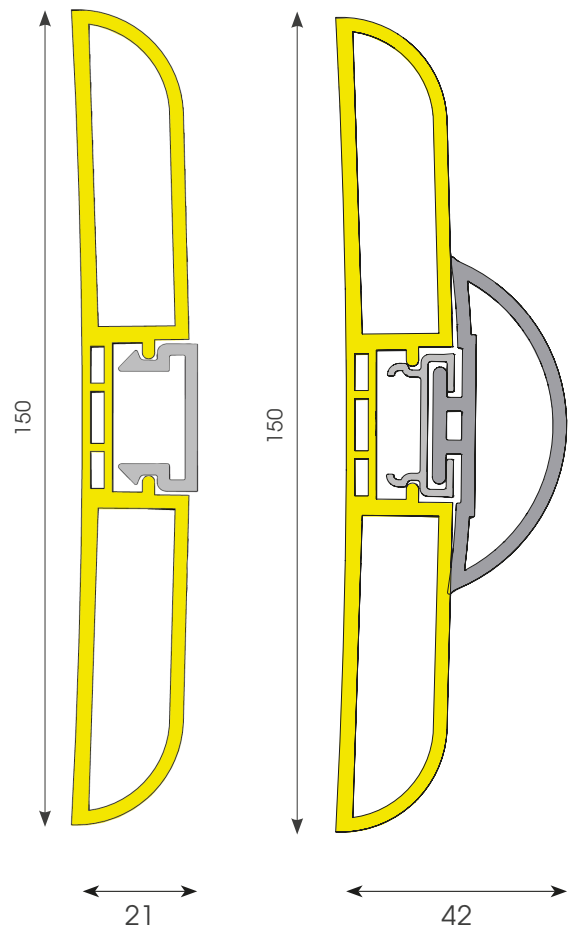
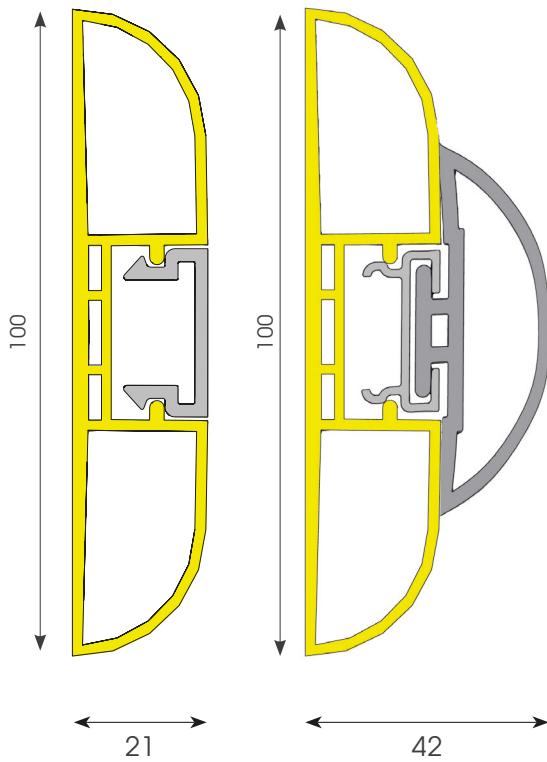
WP 100/150

PROTEZIONE PER PARETI
WALLS PROTECTION



WP 100

WP 150



*WITH WPC

*WITH WPCS

*WITH WPC

*WITH WPCS

WARNING

The product is not equipped with fixing accessories for the wall.

WP 100

ISTRUZIONI DI INSTALLAZIONE
ASSEMBLY INSTRUCTIONS

