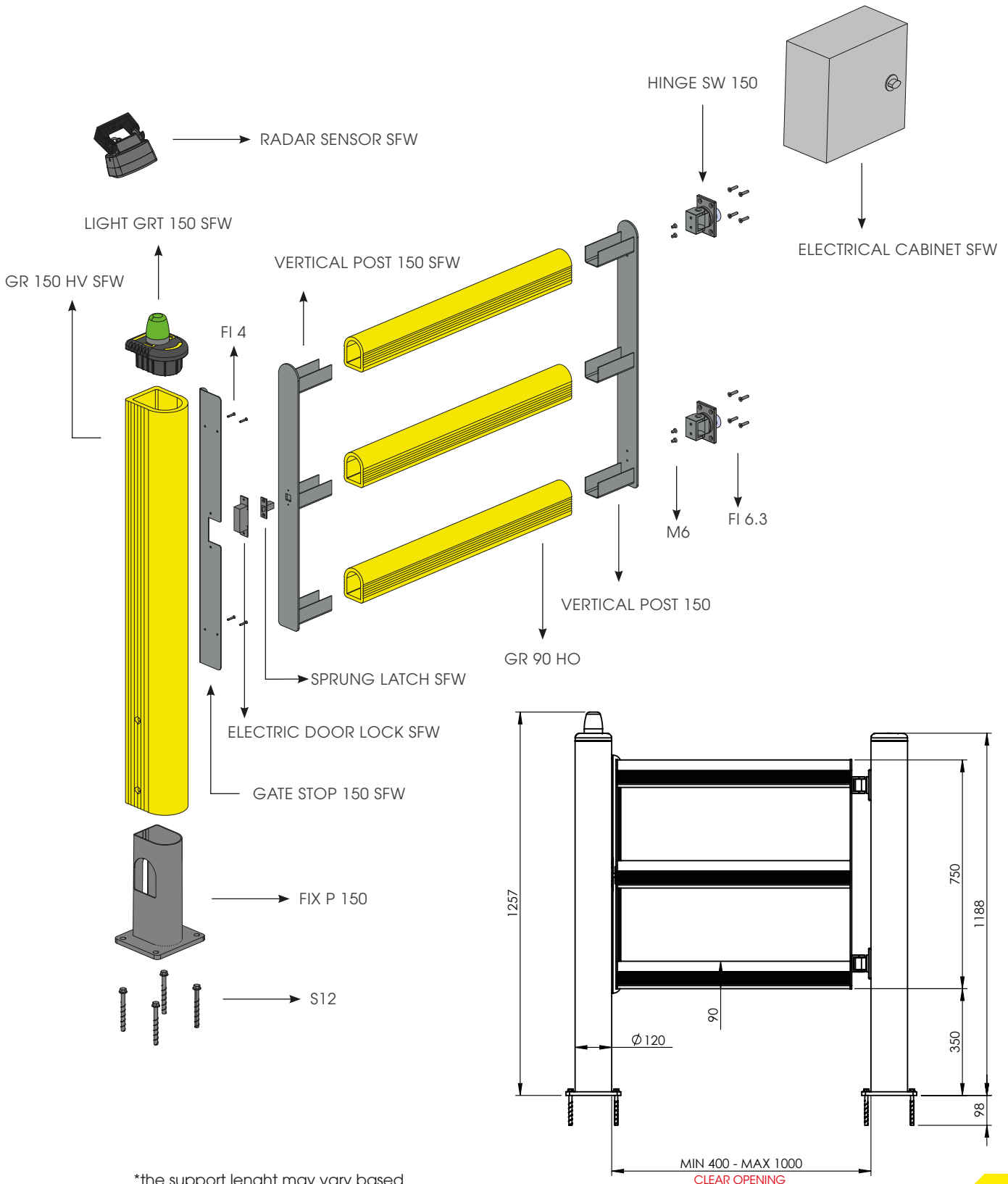


# DP 150 SAFE WAY

PORTA PEDESTRIAN 150 - SAFE WAY  
DOOR PEDESTRIAN 150 - SAFE WAY

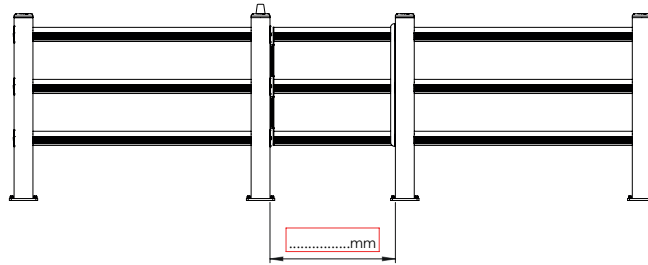


\*the support lenght may vary based on the selected base product

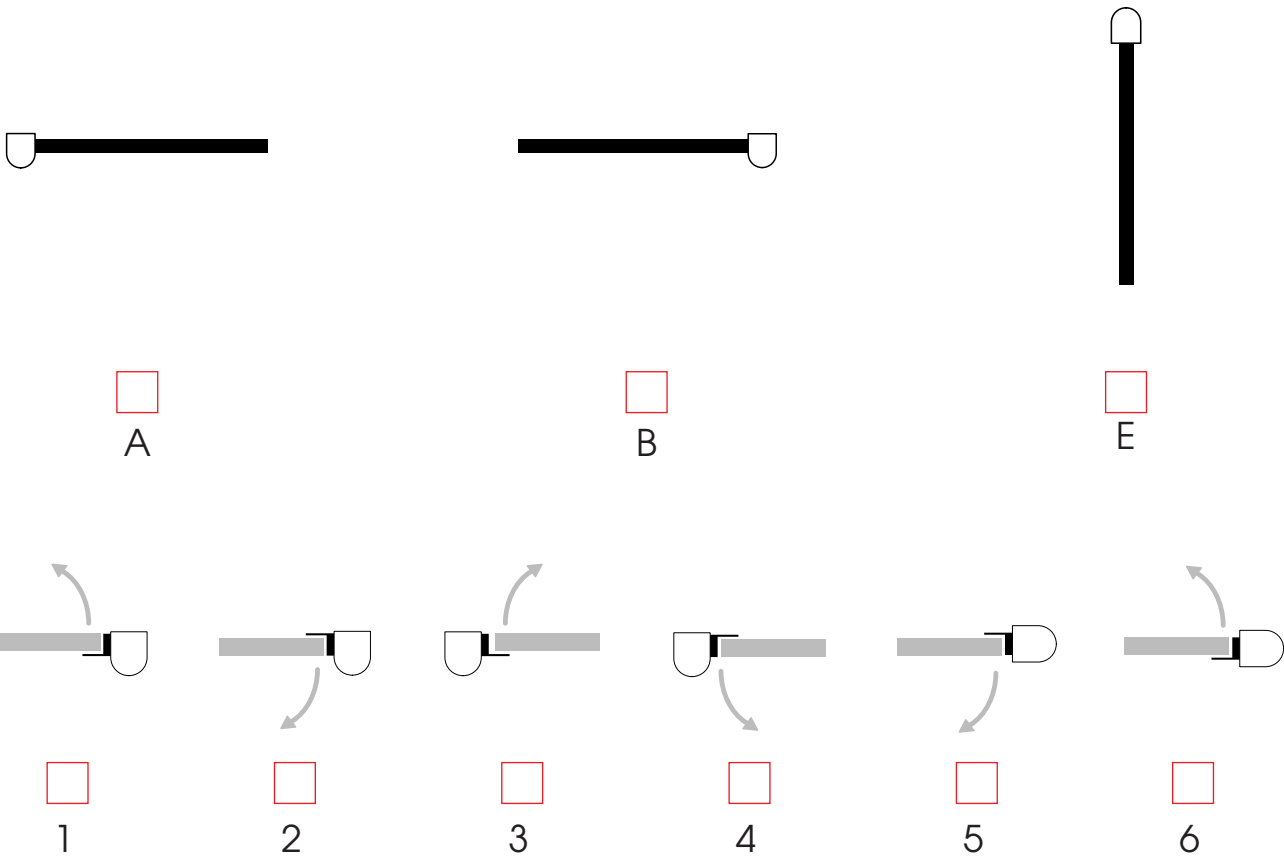
# DP 150 SAFE WAY

PORTA PEDESTRIAN 150  
DOOR PEDESTRIAN 150

PLEASE CHECK HERE BELOW  
HOW THE SIZE OF THE DOOR IS TO BE MEASURED

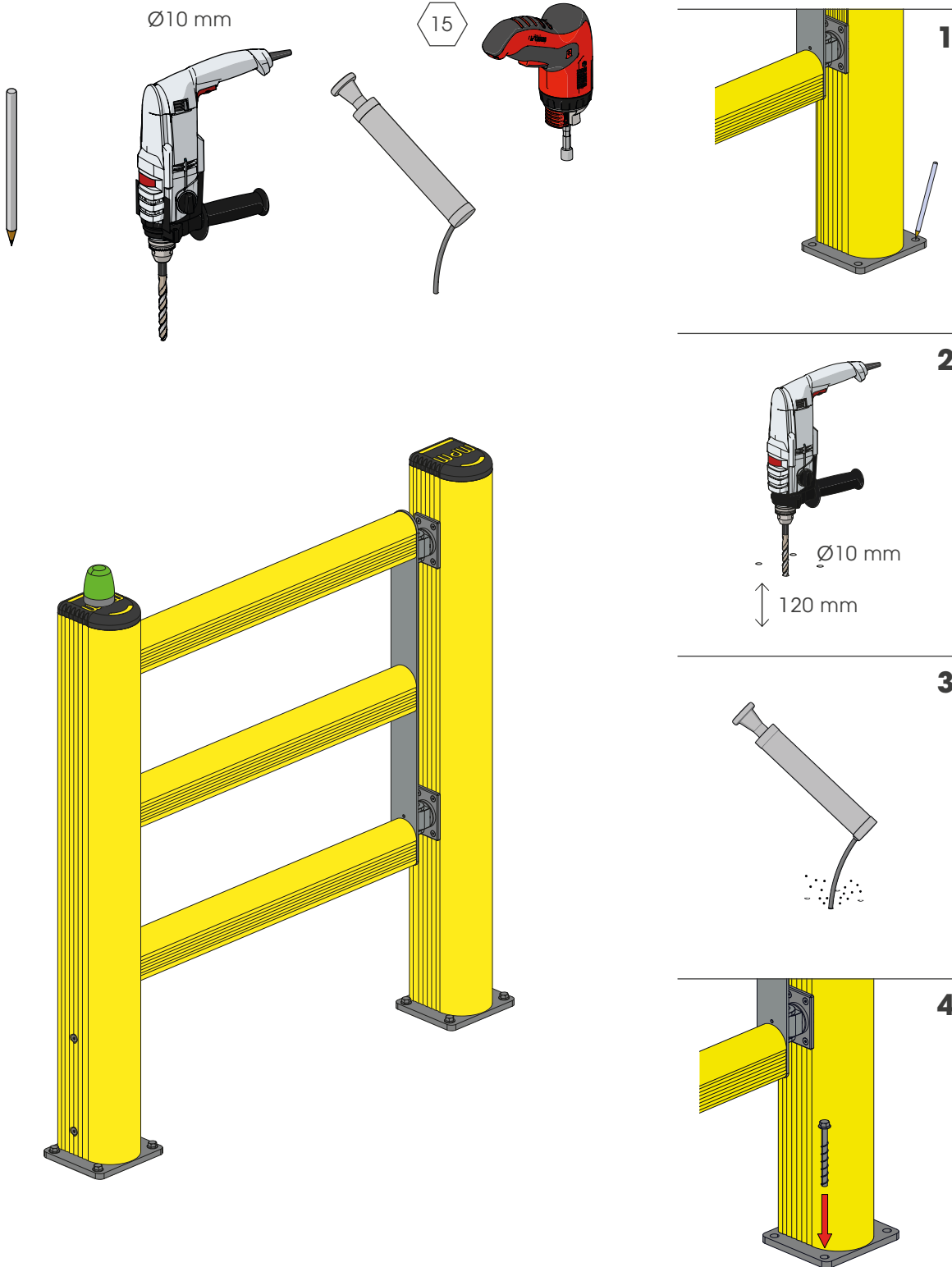


PLEASE CHECK HERE BELOW  
WHICH DIRECTION OF OPENING YOU NEED



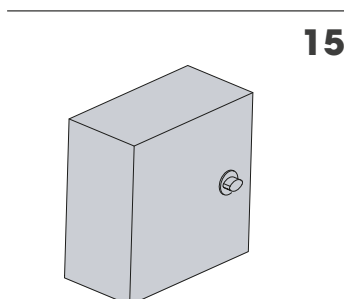
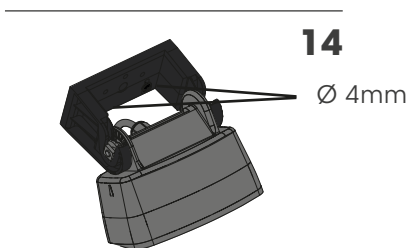
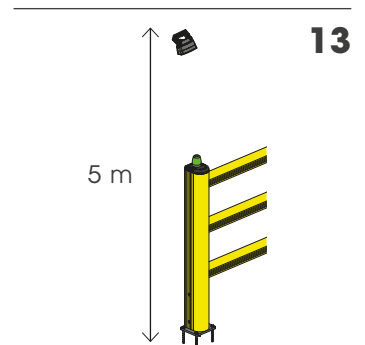
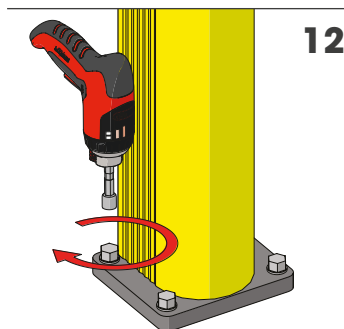
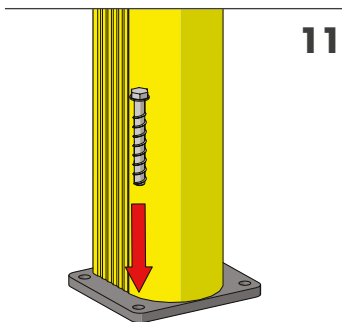
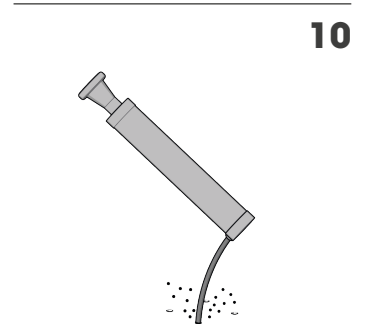
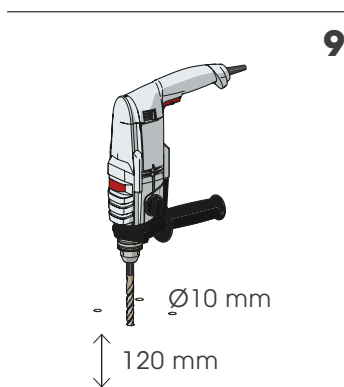
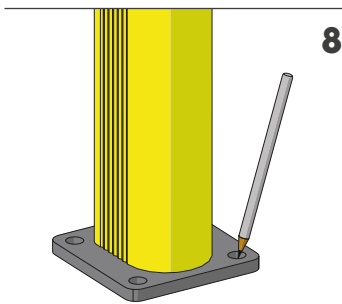
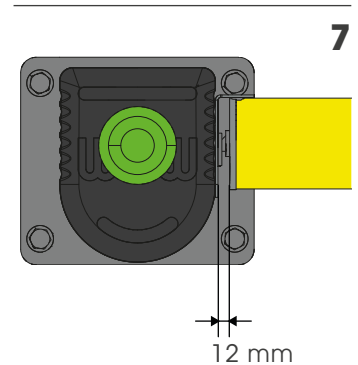
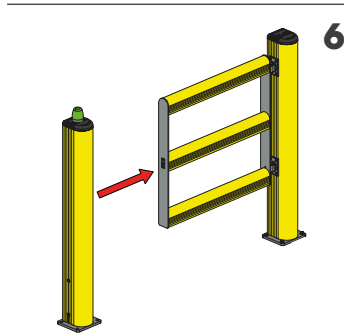
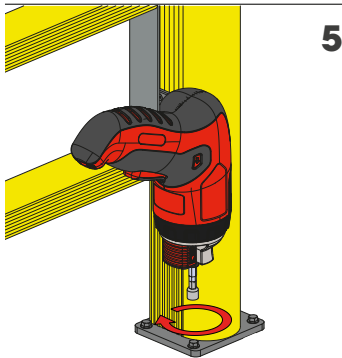
# DP 150 SAFE WAY

ISTRUZIONI DI INSTALLAZIONE  
ASSEMBLY INSTRUCTIONS



# DP 150 SAFE WAY

**ISTRUZIONI DI INSTALLAZIONE  
ASSEMBLY INSTRUCTIONS**



\*The sensor must face in the direction of incoming traffic.

The Junction Box can be installed on the wall in whichever position is best suited. Electric Junctions are to be completed following the dedicated instruction manual.

Different fixings may be required based on the wall's structure and stratigraphy