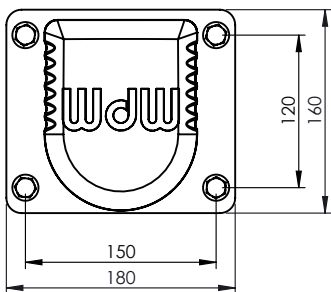
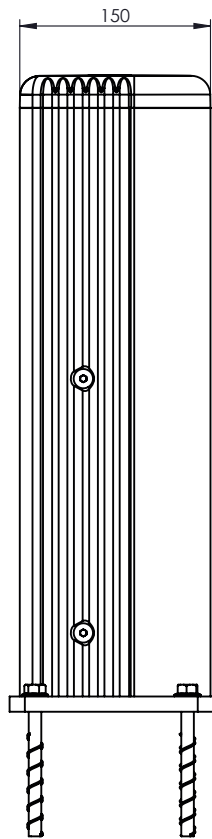
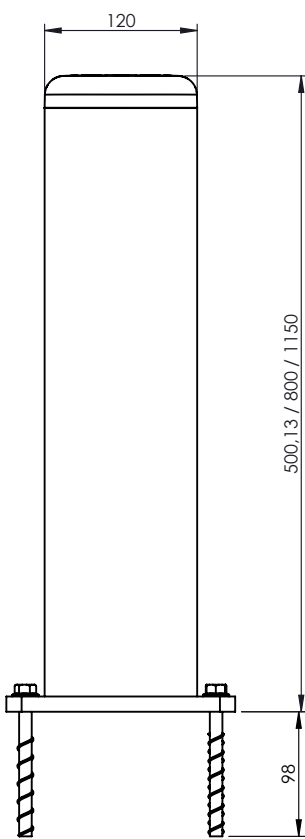


# GRD 150

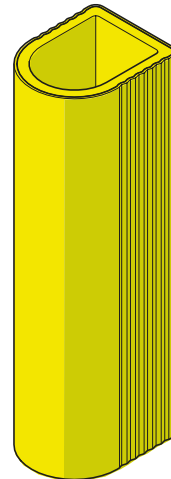
PALO PROTEZIONE  
BOLLARD



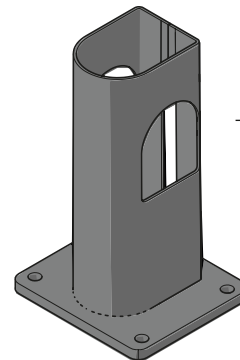
**IMPACT TEST PASSED**  
according to  
EN 15512:2009



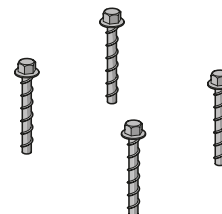
→ GRT 150



→ GR 150



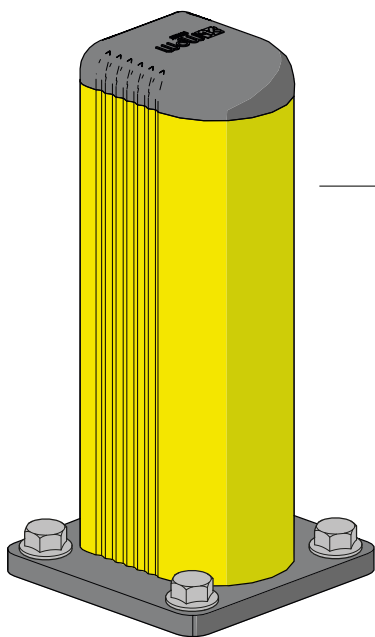
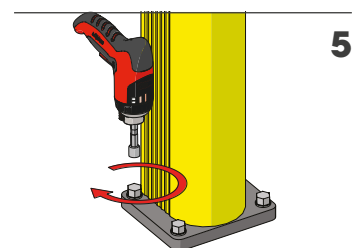
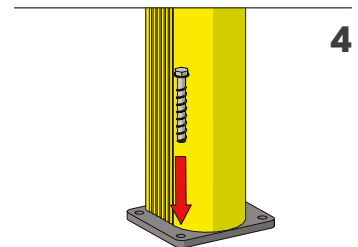
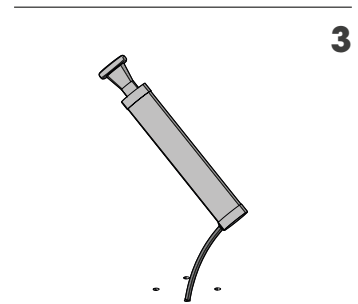
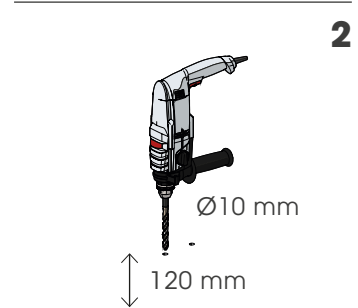
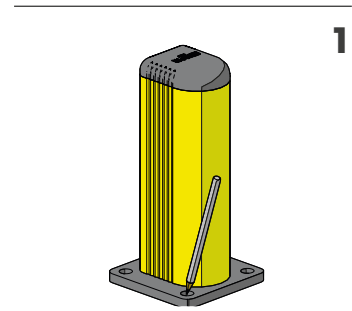
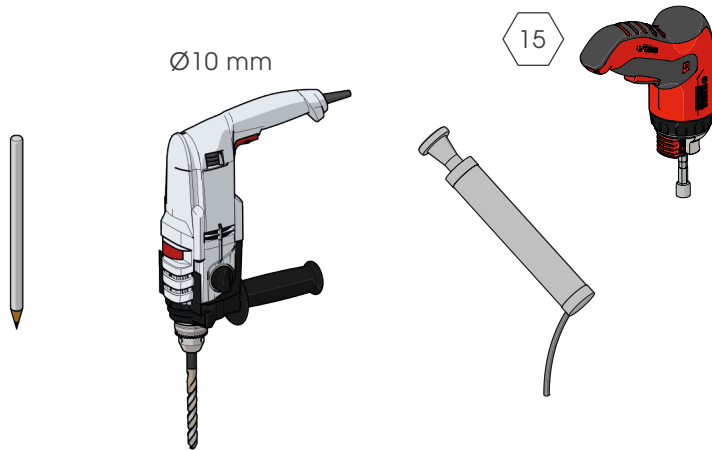
→ FIX P 150



→ S12

# GRD 90/150

ISTRUZIONI DI INSTALLAZIONE  
ASSEMBLY INSTRUCTIONS



**WARNING**  
The distance of installation depends on speed and weight of vehicle

