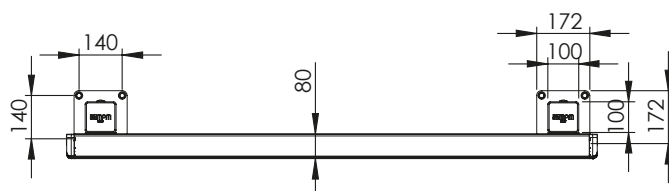
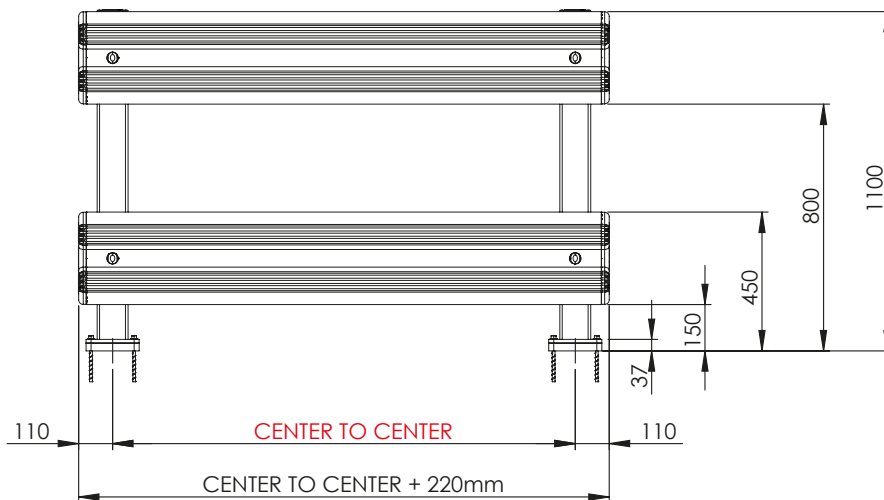
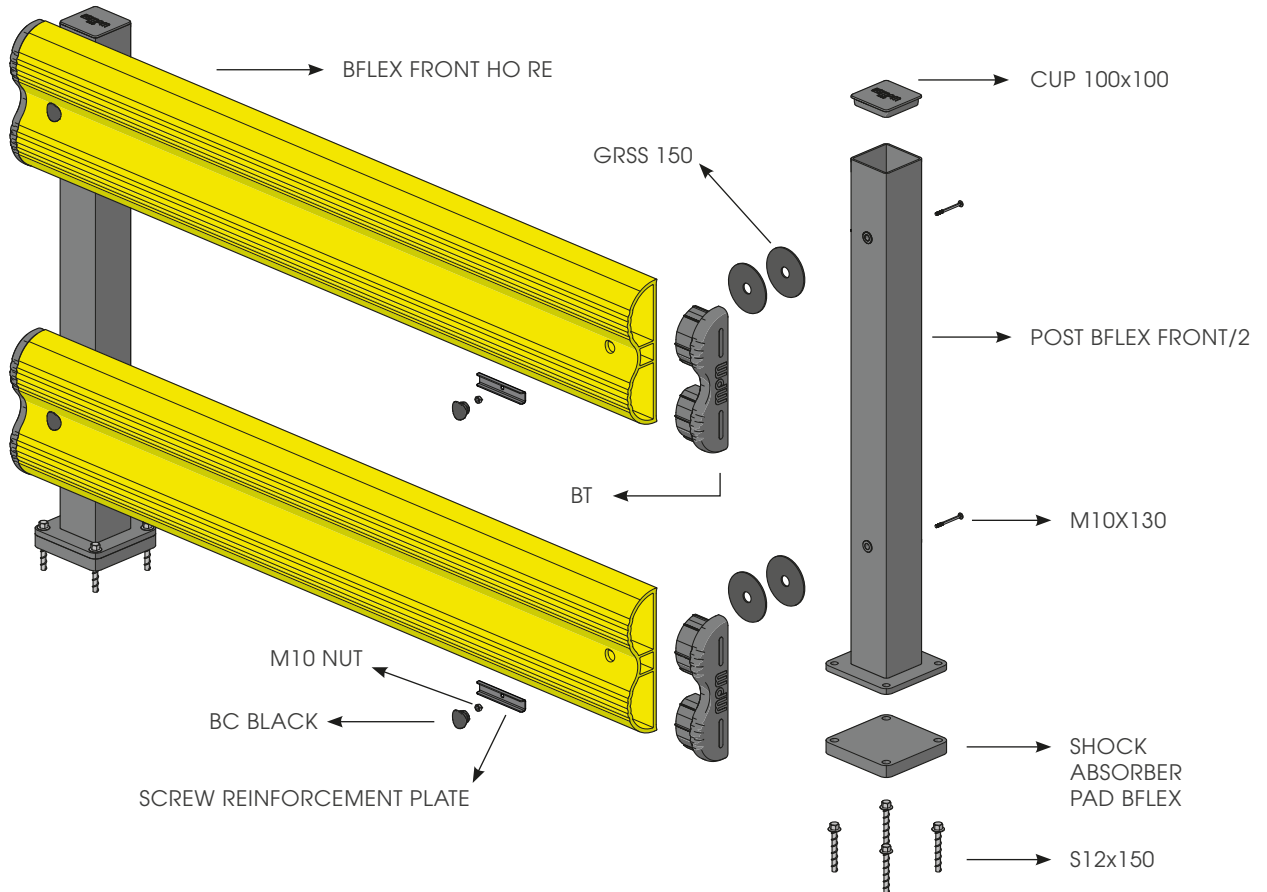


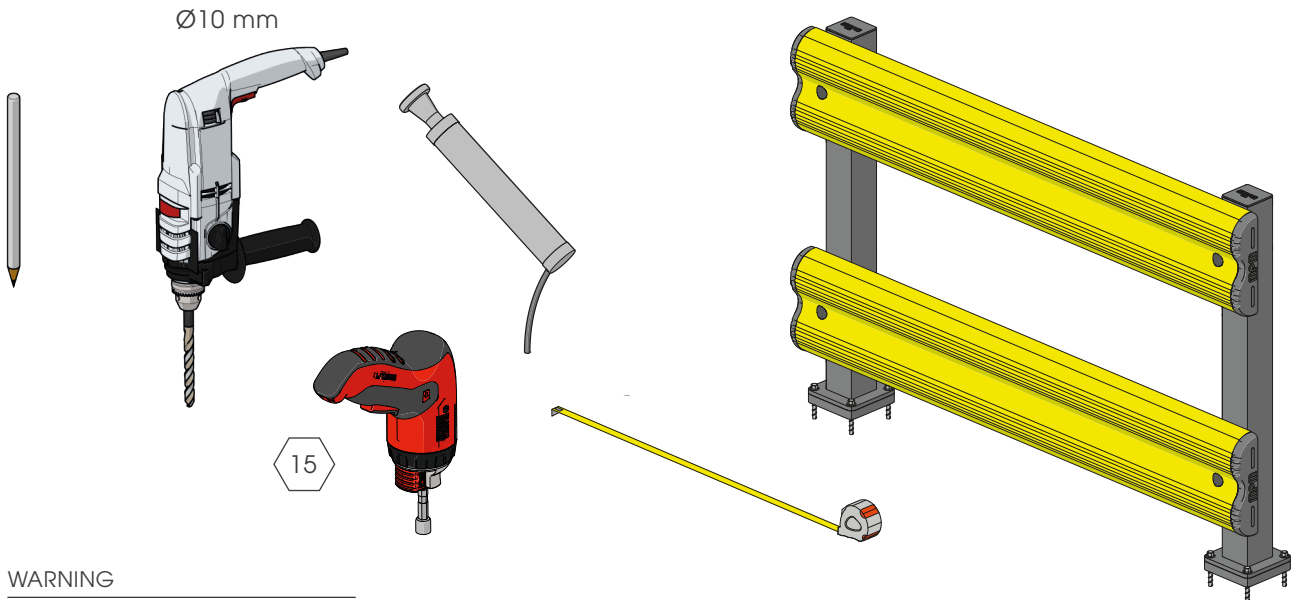
# BFLEX.FRONT/2

BARRIERA DOPPIA FRONTALE - RACK END MODULO SINGOLO  
FRONTAL DOUBLE RACK END BARRIER



# BFLEX.FRONT/2

**ISTRUZIONI DI INSTALLAZIONE**  
**ASSEMBLY INSTRUCTIONS**



**WARNING**

The distance of installation depends on speed and weight of vehicle

