

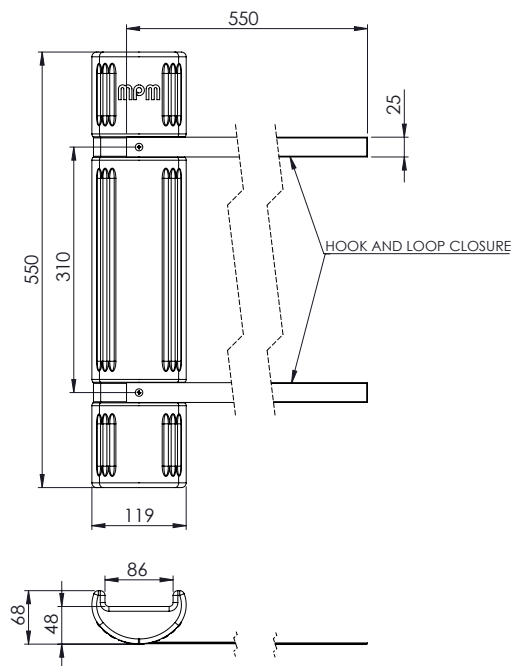
TECHNICAL RACK

PROTEZIONE MONTANTE
RACK PROTECTOR

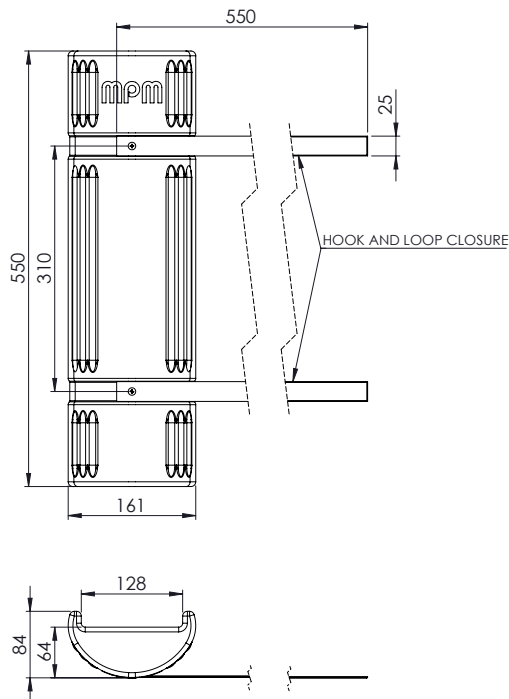


RESISTANT TO
LOW TEMPERATURES

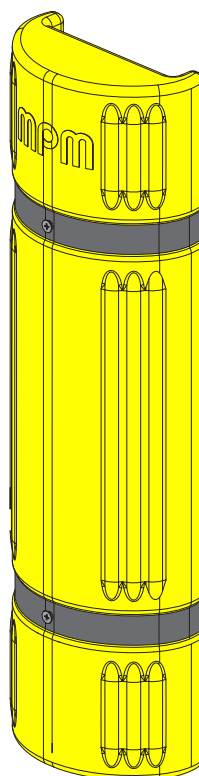
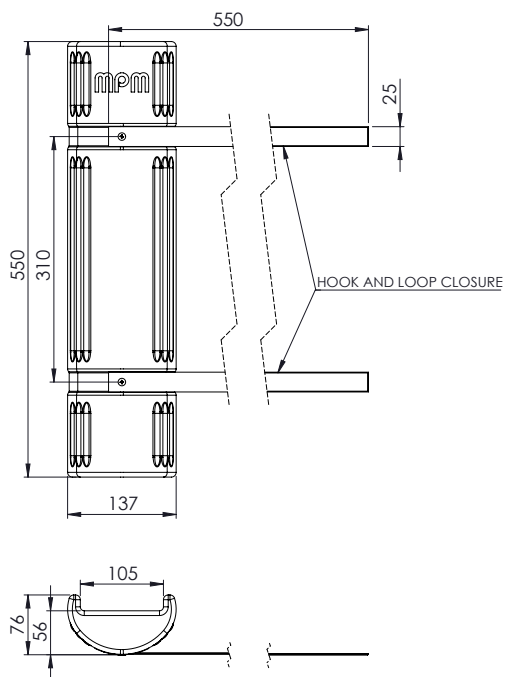
TRS



TRL

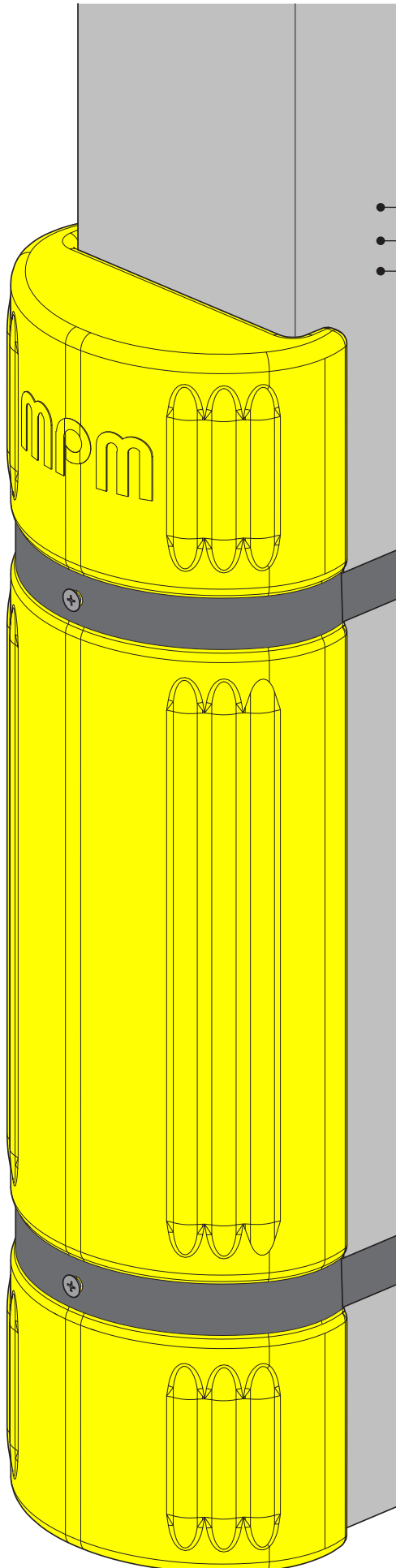


TRM

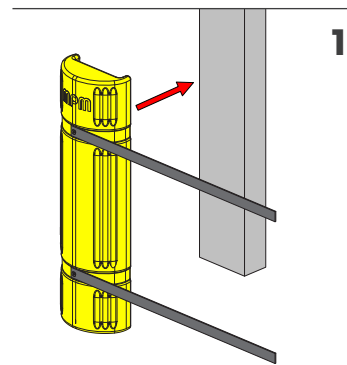




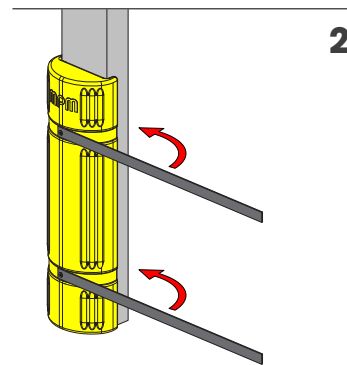
RESISTANT TO
LOW TEMPERATURES



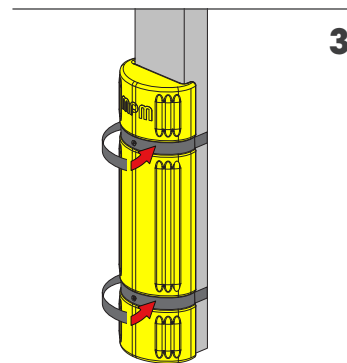
- **TRS:** Front width from 60mm to 85mm.
- **TRM:** Front width from 86mm to 102mm.
- **TRL:** Front width from 103mm to 125mm.



1



2



3