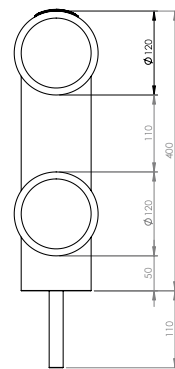
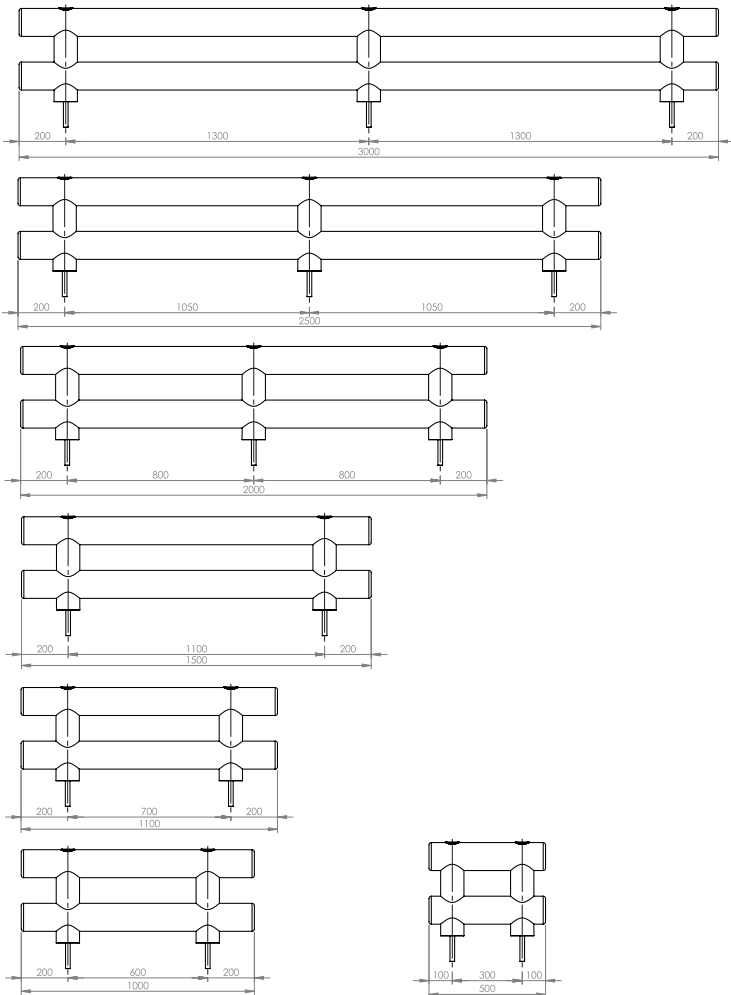
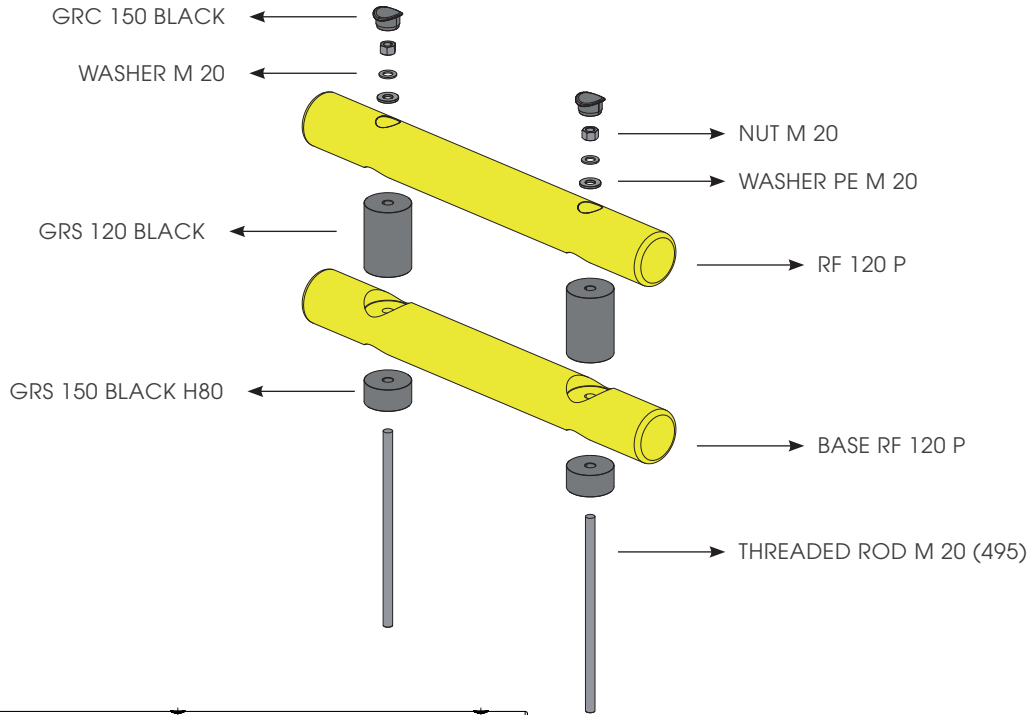


ROD FLOOR 120 DOUBLE

BARRIERA DOPPIA
DOUBLE-RAIL BARRIER



RESISTANT TO
LOW TEMPERATURES



ROD FLOOR 120 DOUBLE

**ISTRUZIONI DI INSTALLAZIONE
ASSEMBLY INSTRUCTIONS**



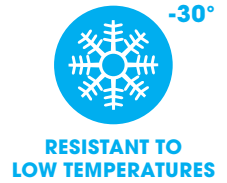
SF20x 495
STAINLESS STEEL



ANCHOR
(FR)



ANCHOR
(NORDIC)
Only for low
temperatures



ONLY WITH RESIN

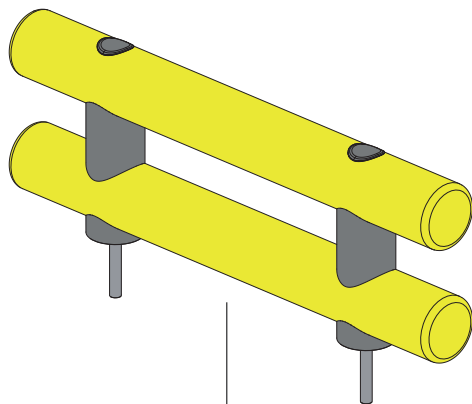
CHEMICAL
ANCHOR

Ø24 mm

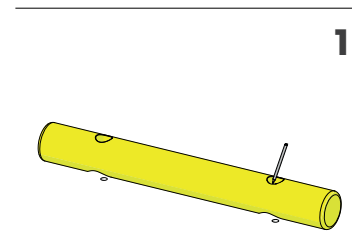
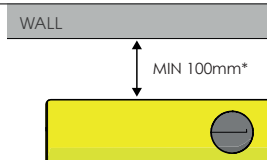


30

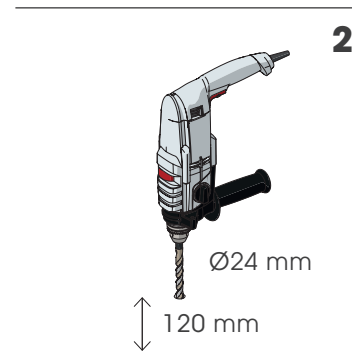
Ø24 mm



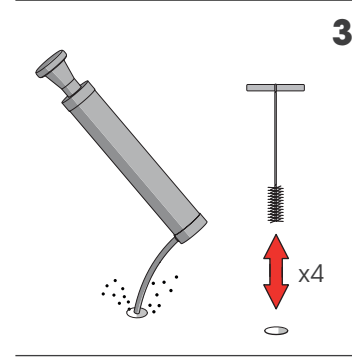
WARNING
The distance of installation depends on speed and weight of vehicle



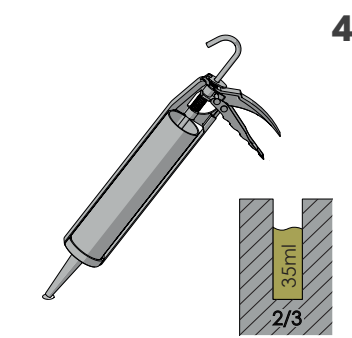
1



2



3



4

ROD FLOOR 120 DOUBLE

**ISTRUZIONI DI INSTALLAZIONE
ASSEMBLY INSTRUCTIONS**



SF20x 495
STAINLESS STEEL



ANCHOR
(FR)



ANCHOR
(NORDIC)
Only for low
temperatures



-30°

**RESISTANT TO
LOW TEMPERATURES**

ONLY WITH RESIN

